



SERVICE INSTRUCTION (INTENDED ONLY FOR SERVICE OPERATION):
DOOR REVERSIBILITY



DOOR REVERSIBILITY SERVICE INSTRUCTION FOR WHIRLPOOL W SERIES

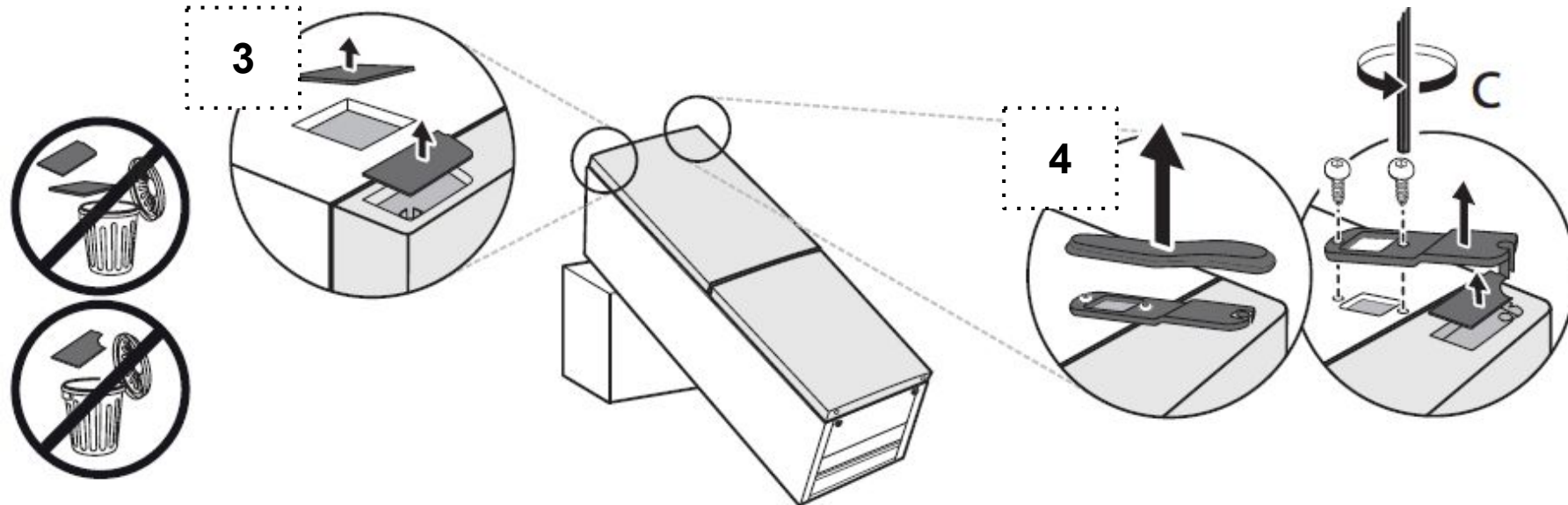
EMEA QUA - SEPT2019

IMPORTANT

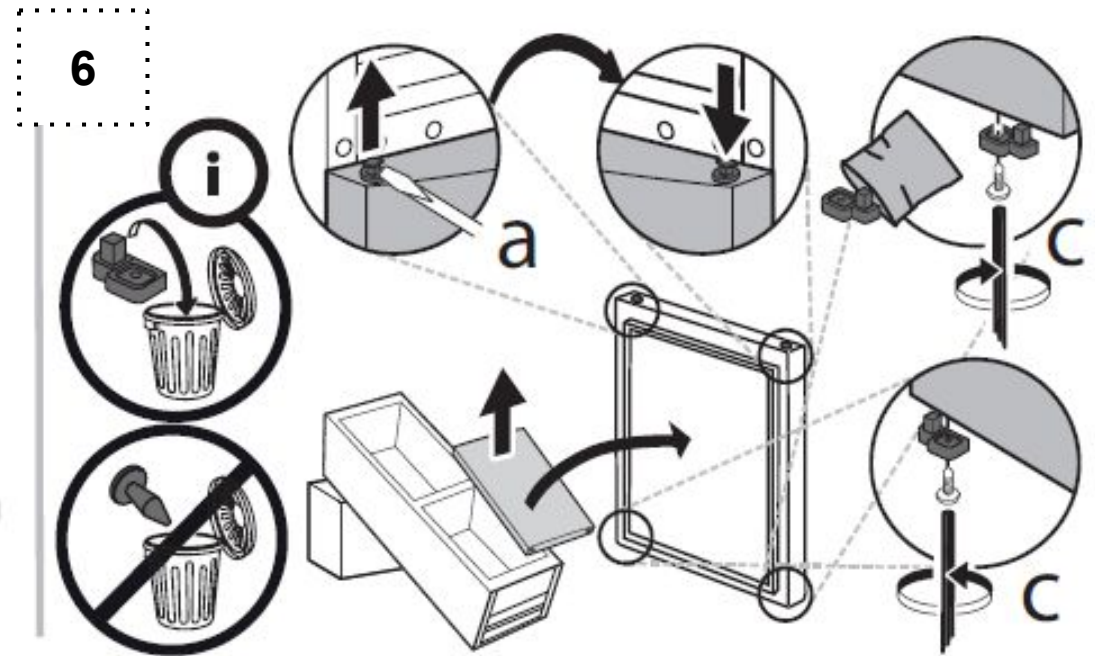
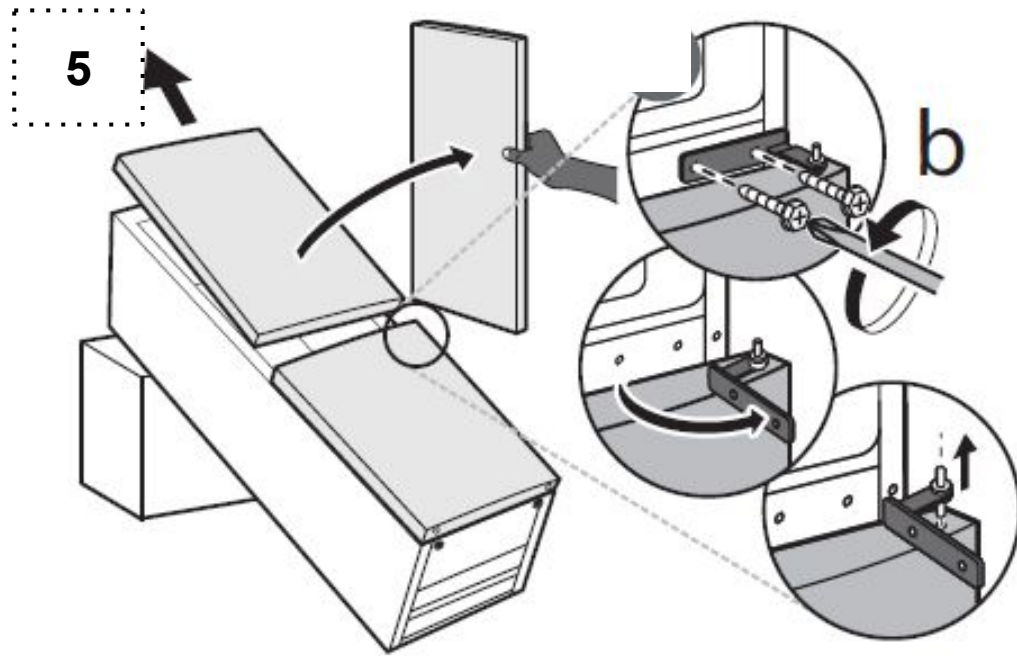
-NEO (W5 and W9) doors (also with displays) can be reversed by consumers (if they ask service interventions they have to pay)

-X2 (W7) doors with displays cannot be reversed by consumers and paid service intervention has to be requested in this case.

SERVICE INSTRUCTION (INTENDED ONLY FOR SERVICE OPERATION):
DOOR REVERSIBILITY



**SERVICE INSTRUCTION (INTENDED ONLY FOR SERVICE OPERATION):
DOOR REVERSIBILITY**

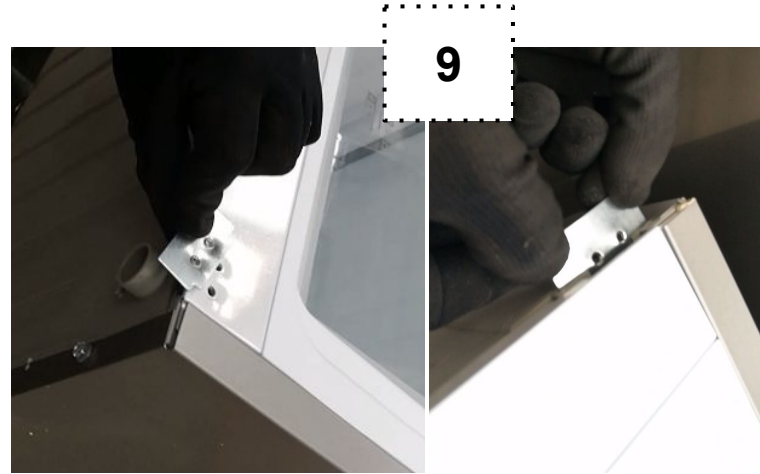




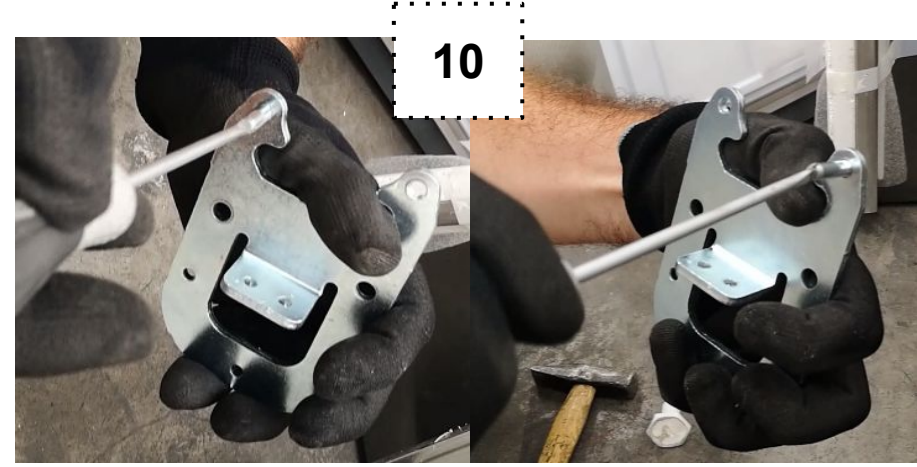
**SERVICE INSTRUCTION (INTENDED ONLY FOR SERVICE OPERATION):
DOOR REVERSIBILITY**



8



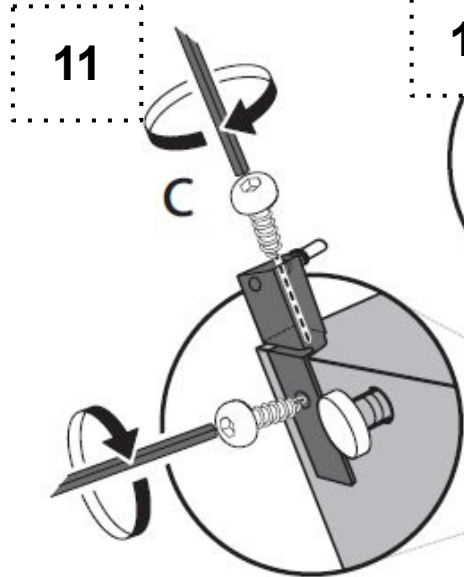
9



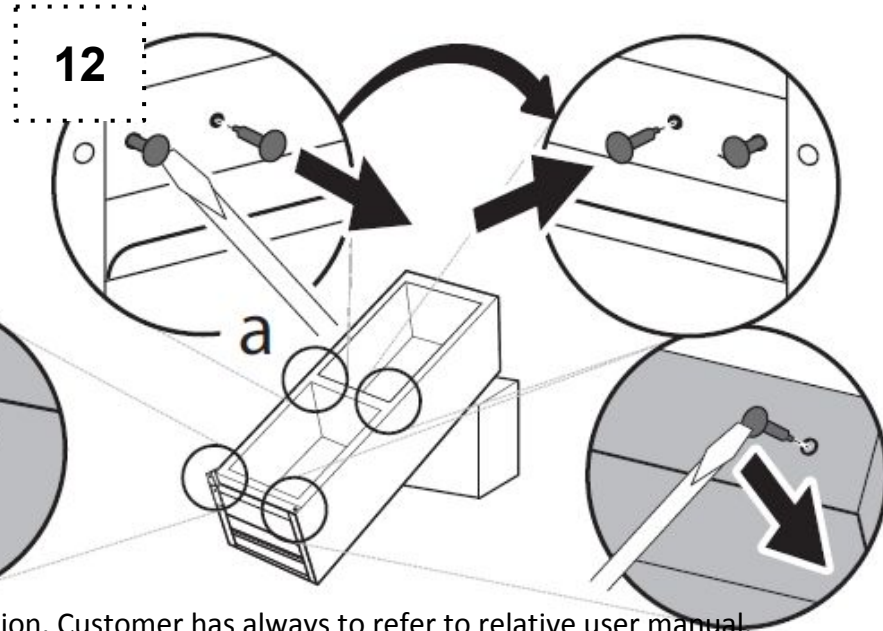
10

**MOVE METAL INSERT FROM RIGHT
TO LEFT SIDE**

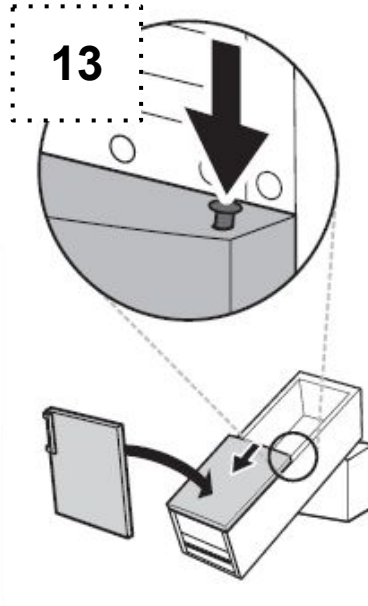
MOVE PIN ON HINGE



11



12



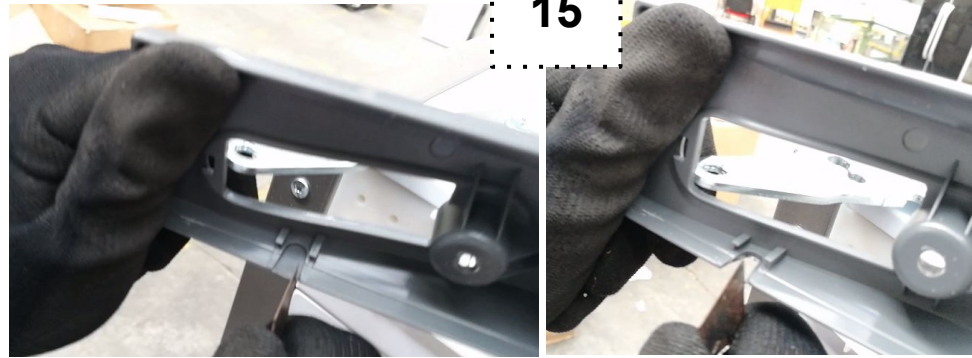
13

**SERVICE INSTRUCTION (INTENDED ONLY FOR SERVICE OPERATION):
DOOR REVERSIBILITY**

14



15



16



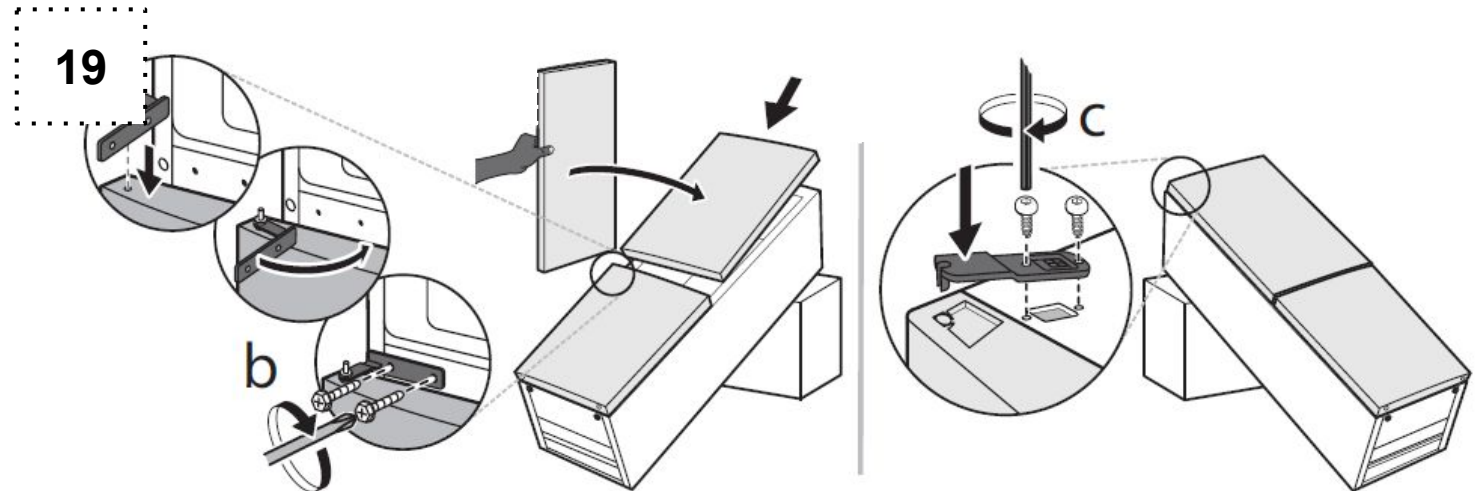
17



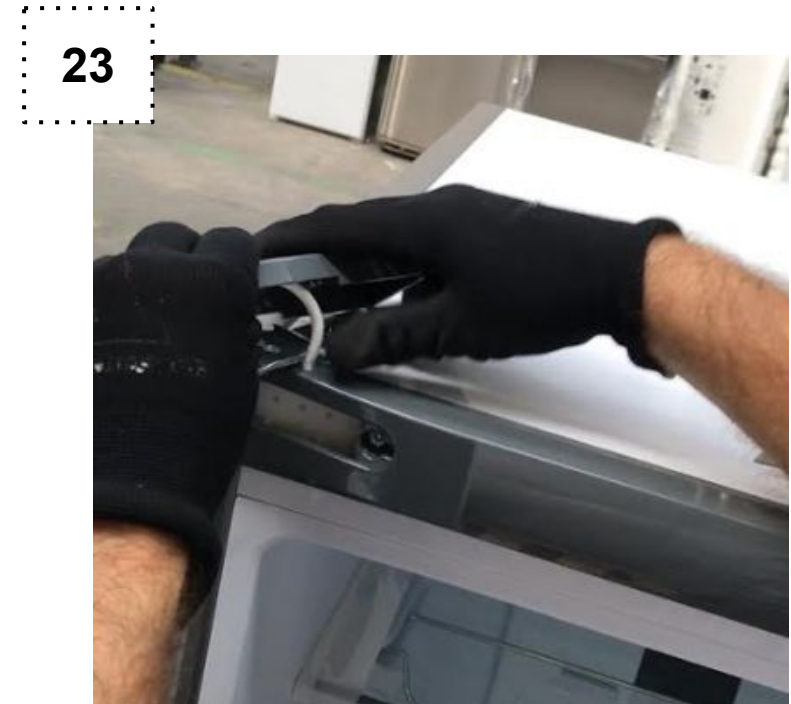
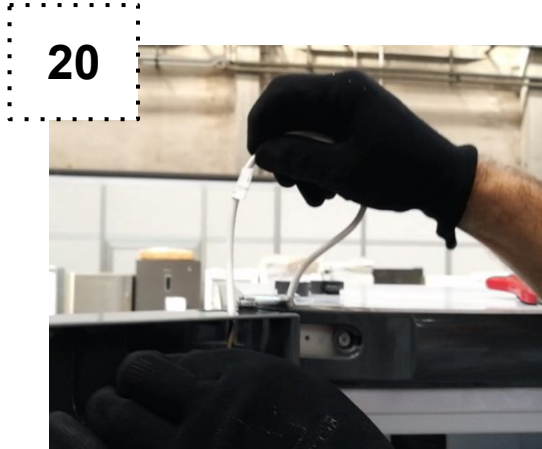
18



19



**IMPORTANT!
AVOID SCREW CUT DISPLAY
CABLE**



**IMPORTANT!
DOOR COVER HOLD DOOR SWITCH MAGNET.
MOUNT COVER AS BEFORE WITHOUT ROTATION**

**IMPORTANT!
SECURE CABLE INTO HINGE
COVER TO AVOID CABLE BE CUT
BY HINGE BY DOOR OPENING**

